



ST series 3-way home theatre speaker

ST series is the flagship product of cinema speakers, which adopts 3-way multi speaker design. The frequency response and distortion are designed in strict accordance with THX audio technical standards for studio and cinema speakers.

Ultra thin box design, very suitable for hiding behind the screen installation. The unique design of installation accessories provides convenience for customized installation.

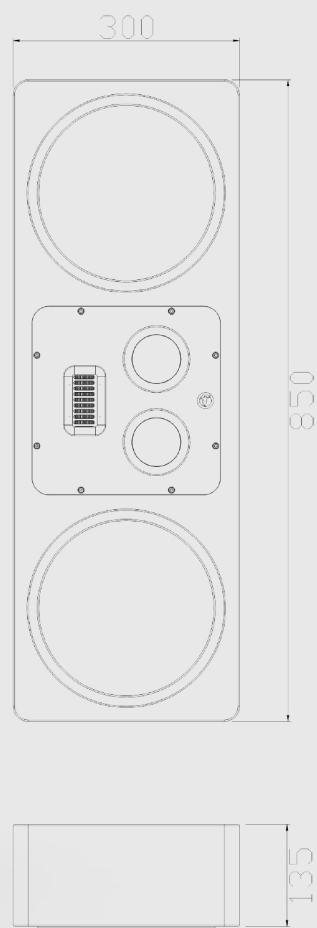
The 50 mm silk diaphragm neodymium magnetic midrange speaker has a specially designed non reflection anechoic rear cavity with clear sound.

"AMT" tweeter, flat frequency response and low distortion woofer speaker , precise frequency divider design, make the sound quality reach the monitoring level of professional film mixing room studio.



ST-805 Specification

• Driver components	“AMT” tweeter×1 , 2"Midrangex2 , 8"Wooferx2
• Frequency	60-26000Hz±3dB
• Impedance	4Ω
• Power Handling	300W
• Sensitivity	93dB
• Dimensions	850(H)*300(W)*135(D)mm
• Shipping dimensions	925(H)*400(W)*245(D)mm
• Net weight	17.3Kg /each
• Shipping weight	20.5Kg /each



ST-803 Specification

• Driver components	“AMT” tweeter×1 , 2" Midrange×1 , 8" Woofer×1
• Frequency	65-26000Hz±3dB
• Impedance	4Ω
• Power Handling	150W
• Sensitivity	90dB
• Dimensions	530(H)*300(W)*135(D)mm
• Shipping dimensions	610(H)*400(W)*245(D)mm
• Net weight	11Kg /each
• Shipping weight	13Kg /each

