

IM series ultra thin on wall speaker

IM series is the upgraded version of IC series. It also adopts ultra-thin on wall design and bright piano paint appearance. The difference is that IM series adopts 2-way and two speaker design, which has better sound quality and higher power bearing capacity.

The tweeter speaker adopts "AMT" design, which is different from the traditional silk soft dome type and aluminum belt type.

AMT tweeter is a large area of special film material folded into an accordion shape. Under the magnetic force of a strong neodymium magnet, the AMT tweeter generates compression motion and emits sound waves from the folded gap. Due to its sound generation mode close to the plane speaker, the directivity of high frequency energy sense is better than the traditional dome type, especially suitable for home theater.

The ultra-thin design is also suitable for Dolby Atmos sky channels.

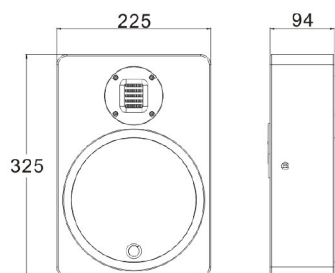


IM-601 Specification

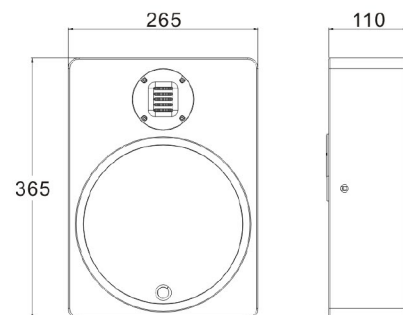
• Driver components	“AMT”Tweeter x1 , 6.5" Woofer x1
• Frequency	70-26000Hz±3dB
• Impedance	8Ω
• Power Handling	100W
• Sensitivity	90dB
• Finish	High Gloss Paint
• Dimensions	325(H)*225(W)*94(D)mm
• Shipping dimensions	400(H)*310(W)*310(D)mm (2pcs/CTN)
• Net weight	4.3Kg /each
• Shipping weight	9.6Kg /each (2pcs/CTN)

IM-801 Specification

• Driver components	“AMT”Tweeter x1 , 8" Woofer x1
• Frequency	60-26000Hz±3dB
• Impedance	8Ω
• Power Handling	100W
• Sensitivity	90dB
• Finish	High Gloss Paint
• Dimensions	365(H)*265(W)*110(D)mm
• Shipping dimensions	356(H)*348(W)*443(D)mm (2pcs/CTN)
• Net weight	5.8Kg /each
• Shipping weight	12.4Kg /each (2pcs/CTN)



IM-601



IM-801

IM-402 Specification

• Driver components	“AMT”Tweeter x1 , 4" Woofer x2
• Frequency	80-26000Hz±3dB
• Impedance	4Ω
• Power Handling	120W
• Sensitivity	90dB
• Finish	High Gloss Paint
• Dimensions	165(H)*600(W)*73(D)mm
• Shipping dimensions	250(H)*680(W)*155(D)mm
• Net weight	4.6Kg /each
• Shipping weight	5.4Kg /each

