



AUDIMAXIM



S5 Active speakers

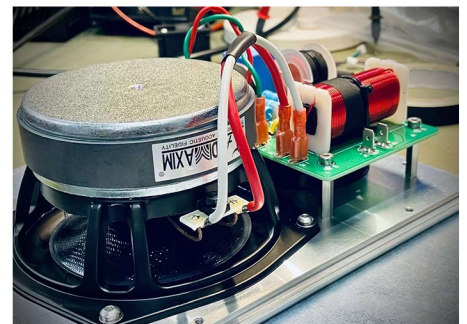


S-5 **Active speakers**

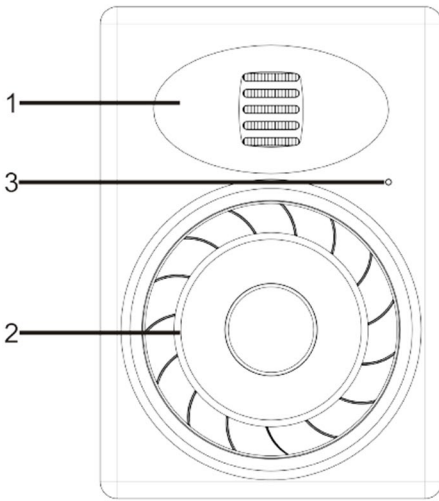
The newly-developed S-5 by Audimaxim Audio Co.,Ltd , is a high-fidelity active speaker, specially for those music lovers and professional audio workers that have high expectations for sound quality.

Five- inch woofer, one AMT tweeter, Aluminum cabinet , together with the class-D power amplifier, make S-5 so extraordinary. The frequency ranges from 50Hz to 30KHz(± 5 dB). To cater to the various demands of end-users, both XLR and RCA are available.

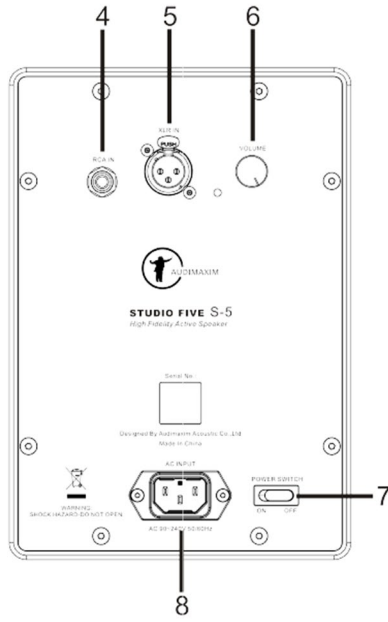
Small outside but powerful inside. S-5 will be a good choice for those music enthusiasts.



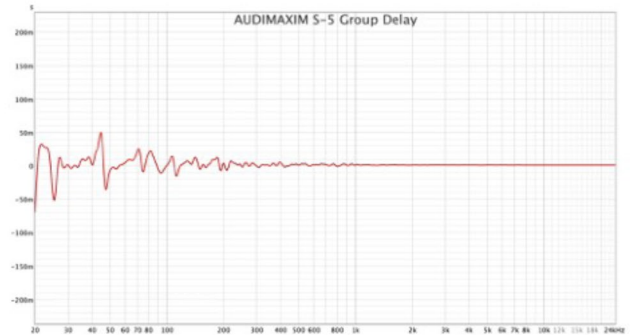
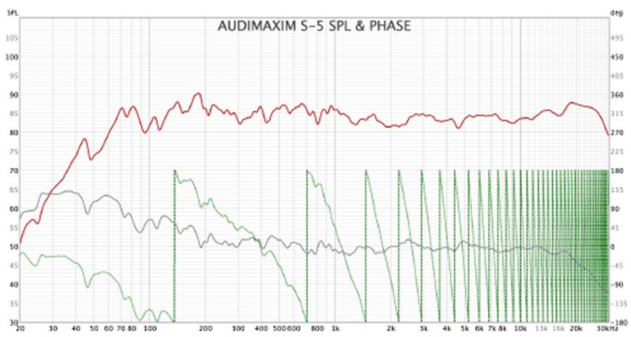
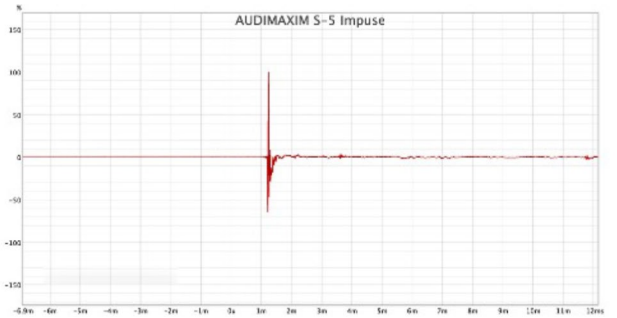
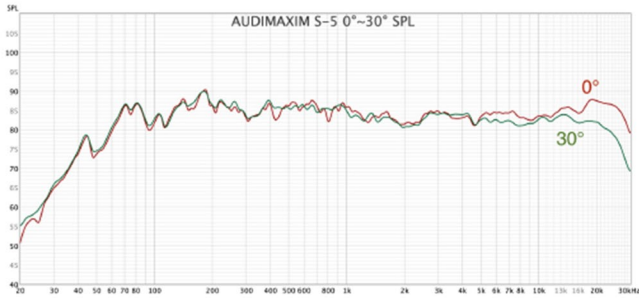
FRONT VIEW

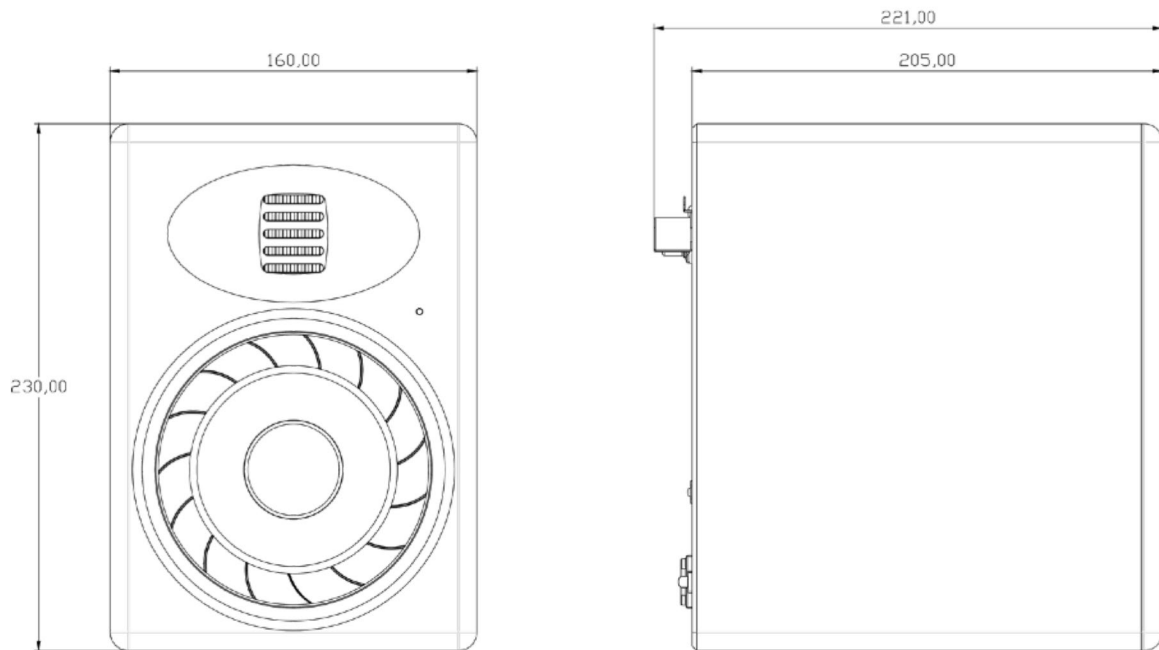


REAR VIEW



1. AMT Tweeter.
2. Midrange woofer.
3. Power LED.
4. RCA Input (unbalance)
5. XLR Input (balance)
6. Volume Control
7. Power Switch
8. IEC Power input





Frequency: 60-30KHz @ +2/-5dB, 50-32KHz @ +2/-10dB

Minimal Phase Response: $\leq 45^\circ$ @ 83Hz~13KHz

Sensitivity: 0.2V @ 88dB/1m

Tweeter: Air Motion Transformer Tweeter

Woofer: 5 $\frac{1}{4}$ inch Glass fiber cone

X-cover: 3KHz@12dB/OCT

Cabinet material: Aluminum

Amplifier power: 150W

Inputs: XLR、RCA Analog inputs

Input impedance: Balance 20K Ω , Unbalance 10K Ω

Input voltage: 100-240V AC, 50~60Hz

Dimension: H 230 x W 160 x D 221mm

Net Weight: 6.5Kg/piece

Packed Weight: 15Kg/Pair

